

ASSA Desmo 492303

Padlock



Application

Lock for cabins, drawers, vending machines etc.

Function

The key can only be removed in locked position.
The shackle can only be locked with the key (not self locked).

Features

ASSA Desmo is a patented lock construction for top security. The construction is based on direct driven pins without springs. The Desmo padlock cylinder is an 8-pin Desmo cylinder which gives possibility for master keying and a very high number of differs. The shackle is made of 5 mm stainless steel with a height of 20 mm as standard. Extra long shackles of 50 mm and 100 mm also available. The padlock body is made of chrome plated brass.

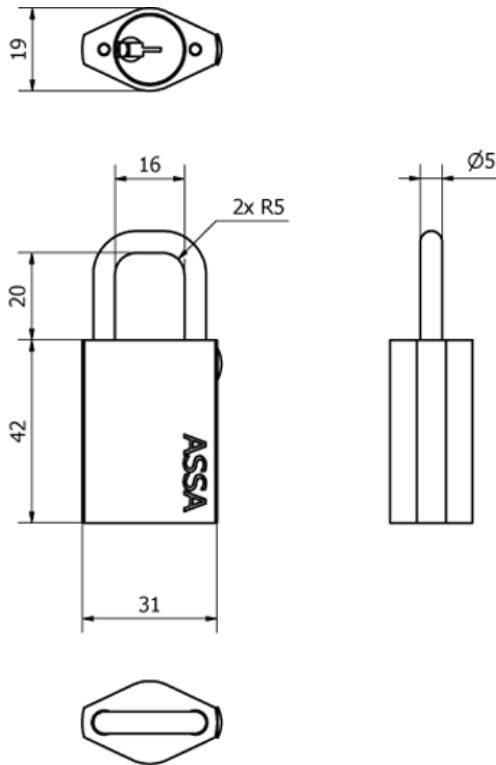
ASSA[®]

ASSA ABLOY

ASSA Desmo 492303

Padlock

Dimension (mm)



Art.nr. 492303

Notes

- Cylinder: Brass
- Padlock body: Chrome plated brass
- Shackle: Stainless steel

Ordering number

- ASSA padlock 492303: (without key) 492303 002 011
- Keys together with lock: 492340 002 000
- Extra keys: 492305 002 000
- Padlocks with 50 mm shackle: 492325
- Padlocks with 100 mm shackle: 492327

ASSA®

ASSA ABLOY

ASSA ABLOY, the global leader in door opening solutions, dedicated to satisfying end-user needs for security, safety and convenience.

ASSA OEM AB
P.O. Box 371
SE-631 05 Eskilstuna
Sweden

phone +46 (0)16 17 70 00
fax +46 (0)16 17 74 51

Customer support:
phone +46 (0)16 17 79 50
fax +46 (0)16 17 70 18
e-mail: csg@assaoem.se

www.assa.se