

ASSA 11450

Cam Lock



Performance

5-pin heavy duty cylinder lock for material thickness up to 22 mm.
Cylinders of bright chrome plated brass and keys of nickel plated brass.
Large selection of 3 mm thick catches.

Function

The key turns $\pm 45^\circ$ and can be removed when the catch is in both locked and unlocked position.

ASSA[®]
ASSA ABLOY

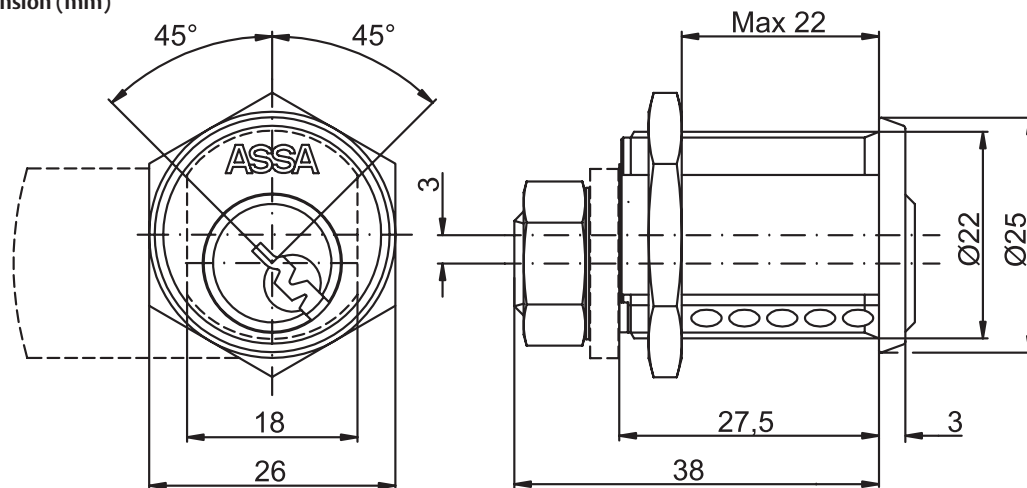
ASSA ABLOY, the global leader
in door opening solutions.

NORMAL
SECURITY

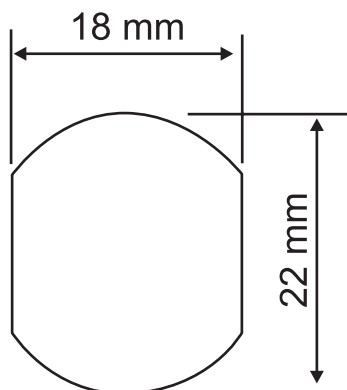
ASSA 11450

Cam Lock

Dimension (mm)



Hole preparation



ASSA®

ASSA ABLOY

ASSA ABLOY, the global leader in door opening solutions, dedicated to satisfying end-user needs for security, safety and convenience.

ASSA OEM AB
P.O. Box 371
SE-631 05 Eskilstuna
Sweden

phone +46 (0)16 17 70 00
fax +46 (0)16 17 74 51

Customer support:
phone +46 (0)16 17 79 50
fax +46 (0)16 17 70 18
e-mail: cs@assa.com

www.assa.se

Included in part no: 492216 000 011

Part	Part no	Material	Finish
Keys (2 pieces)	491155 000 002	Brass	Nickel plated
Large nut	490610 000 057	Steel	Zinc plated
Small nut	491439 000 057	Steel	Zinc plated
Stop washer	492070 000 002	Brass	Nickel plated
Locking washer	490246 000 057	Steel	Zinc plated

Notes

Cylinder house: Bright chrome plated brass
Cylinder: Bright chrome plated brass
Catches with mounting holes rotated 45° should be used
Accessories see data sheet "Accessories"
Catches see data sheet "Catches"
Spare parts see data sheet "Spare Parts"