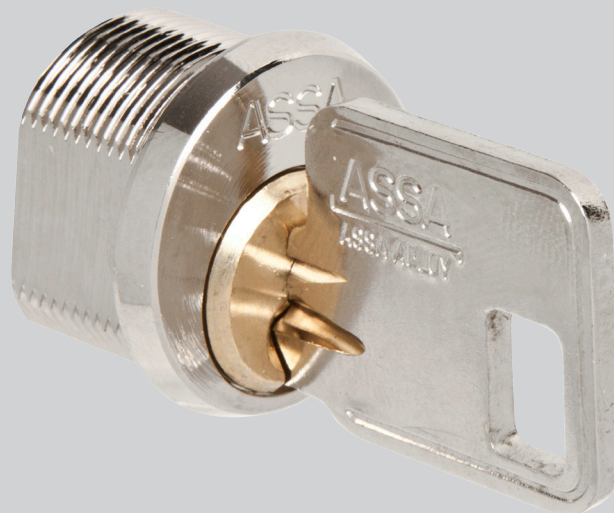


ASSA 1451

Cam Lock



Performance

3-pin cylinder lock for material thickness up to 8 mm.
Cylinders and keys of nickel plated brass.

Function

The key turns 90° and can only be removed when the catch is in the locked position. Right hand turning as standard and left hand is available on request.

ASSA[®]
ASSA ABLOY

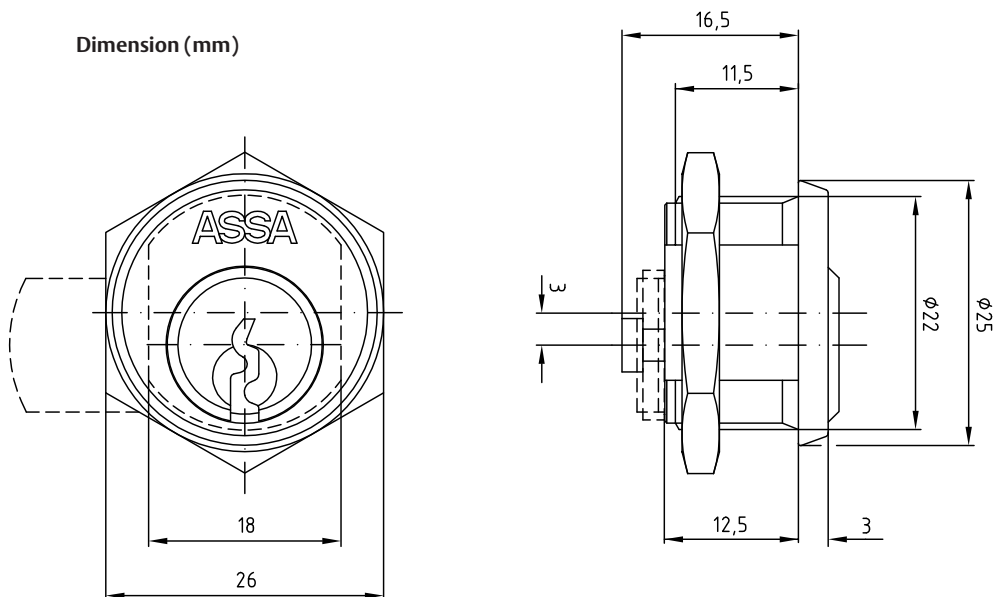
ASSA ABLOY, the global leader
in door opening solutions.



ASSA 1451

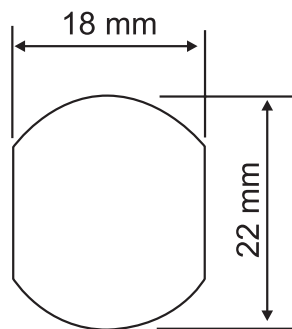
Cam Lock

Dimension (mm)



Part nr:
490064 000 002 with keys

Hole preparation



ASSA®

ASSA ABLOY

ASSA ABLOY, the global leader in door opening solutions, dedicated to satisfying end-user needs for security, safety and convenience.

ASSA OEM AB
P.O. Box 371
SE-631 05 Eskilstuna
Sweden

phone +46 (0)16 17 70 00
fax +46 (0)16 17 74 51

Customer support:
phone +46 (0)16 17 79 50
fax +46 (0)16 17 70 18
e-mail: cs@assa.com

www.assa.se

Included in part no: 490064 000 002

Part	Part no	Material	Finish
Keys (2 pieces)	491985 000 002	Brass	Nickel plated
Large nut	490610 000 057	Steel	Zinc plated

Notes

Cylinder house: Nickel plated brass
Cylinder: Brass
Accessories see data sheet "Accessories"
Catches see data sheet "Catches"
Spare parts see data sheet "Spare Parts"