

ASSA 8450

ASSA[®]
ASSA ABLOY

Cam lock

ASSA ABLOY, the global leader
in door opening solutions



Performance

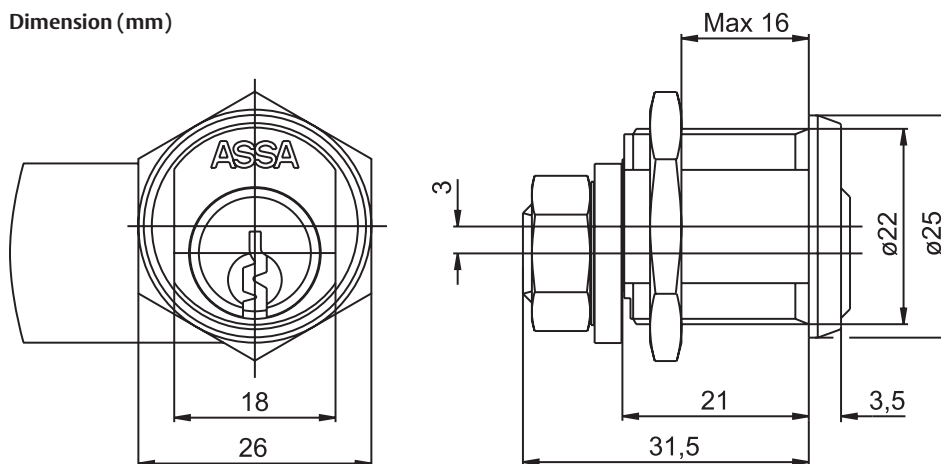
5-pin heavy duty cylinder lock for material thickness up to 16 mm. Cylinder core of brass, cylinder house of nickel plated Zamak and keys of nickel plated brass. Large selection of 3 mm thick catches. Can be master keyed.

Function

The key turns 90° and can only be removed when the catch is in the locked position. Right hand turning as standard and left hand is available on request.

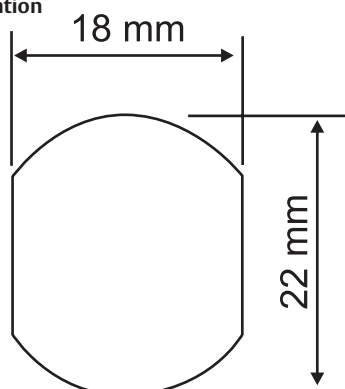
**NORMAL
SECURITY**

Dimension (mm)



Part no: 492040 000 002

Hole preparation



Included in part no: 492040 000 002

Part	Part no	Material	Finish
Keys (2 pieces)	491155 000 002	Brass	Nickel plated
Large nut	490610 000 057	Steel	Zinc plated
Small nut	491439 000 057	Steel	Zinc plated
Stop washer	492069 000 002	Brass	Nickel plated
Locking washer	490246 000 057	Steel	Zinc plated

Notes

Cylinder house: Nickel plated Zamak
Cylinder: Brass
Accessories see data sheet "Accessories"
Catches see data sheet "Catches"
Spare parts see data sheet "Spare Parts"

ASSA ABLOY is the global leader in door opening solutions, dedicated to satisfying end-user needs for security, safety and convenience

ASSA OEM AB
P.O. Box 371
SE-631 05 Eskilstuna
Sweden
Phone +46 (0)16 17 70 00
Fax +46 (0)16 17 71 77
Customer support:
Phone intl. +46 (0)16 17 70 00
e-mail: kundservice.etuna@assaabloy.com
www.assaabloy.com