

ASSA AD 391 Desmo

Casino Lock



Performance

ASSA Desmo is a high security cylinder design based on direct driven pins.

ASSA Desmo AD391 is an 8-pin camlock to be used on doors with 16/19 hole and up to 7 mm thickness.

The ASSA Desmo 8-pin design allows master keying and the technology creates a high number of differs.

Cylinders are made of nickel plated brass and the keys of nickel silver.

Function

The key turns 90° and can only be removed when the catch is in the locked position.

Right hand turning as standard and left hand is available on request.

ASSA[®]

ASSA ABLOY

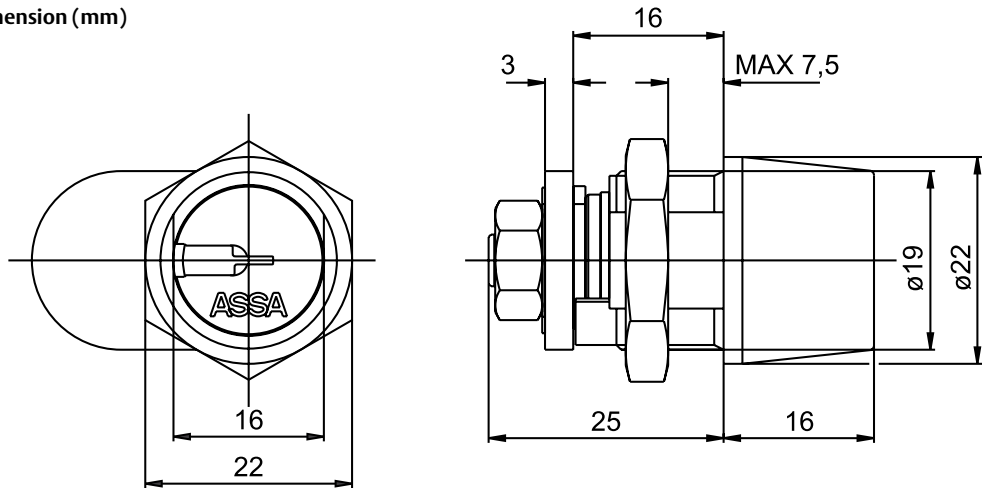
ASSA ABLOY, the global leader
in door opening solutions.

**HIGH
SECURITY**

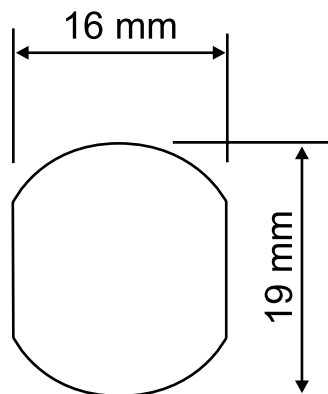
ASSA AD 391 Desmo

Casino Lock

Dimension (mm)



Hole preparation



ASSA[®]

ASSA ABLOY

Included in part no: 492391 002 012

Part	Part no.	Material	Finish
Large nut	492262 000 057	Steel	Zinc plated
Small nut	492401 000 057	Steel	Zinc plated
Stop washer	492411 000 002	Brass	Nickel plated
Locking washer	492404	Steel	Zinc plated

ASSA ABLOY, the global leader in door opening solutions, dedicated to satisfying end-user needs for security, safety and convenience.

ASSA OEM AB
P.O. Box 371
SE-631 05 Eskilstuna
Sweden

phone +46 (0)16 17 70 00
fax +46 (0)16 17 74 51

Customer support:
phone +46 (0)16 17 70 00
fax +46 (0)16 17 71 77
e-mail:
kundservice.etuna@assaoem.se

www.assaoem.se

Keys

Keys together with lock 492366 000 000

Extra keys 492373 000 000

Notes

For "Slot Machine Main Doors"

Catch Preparation:

- Locking up or down = horizontal hole in catch
- Locking right or left = vertical hole in catch

Accessories see data sheet "Accessories"

Catches see data sheet "Catches"

Spare parts see data sheet "Spare Parts"