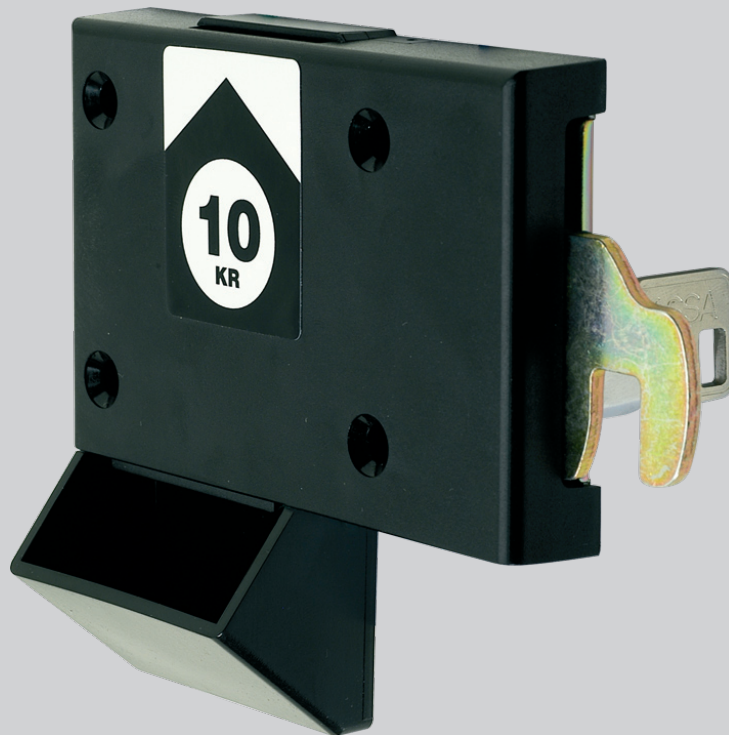


# ASSA Coin Lock

Coin- and Card Locks



## Performance

ASSA Coin Lock is a mechanical lock for cupboards. The locks are available for use with the majority of coins and tokens. The lock can be provided with a coin return tray or a coin collecting box.

The Coin Lock can be ordered for right- or left-handed lockers. A range of cylinders are available, covering different demands of material thickness and security levels. The cylinder can be master keyed. The lock can be made for use in different environments:

**Dry Areas:** Lock case of polycarbonate, cylinder of chromated brass, keys of nickelplated brass, hookbolt and the remaining unspecified components of yellow chromated steel

**Wet Areas (corrosive environments):** Lock case of polycarbonate, cylinder of chromated brass, keys, hook bolt and the remaining unspecified components of nickel plated brass.

## Function

When the correct coin is inserted the door can be locked and the key can be removed.

When the lock is opened with the key the coin passes through into 1) the return tray and the user removes the coin – or 2) into the coin collecting box if a charge is being made for use of the locker.

ASSA Coin Lock is designed so that the key always remains captive in the lock after use, available for a new visitor.

**ASSA**<sup>®</sup>

**ASSA ABLOY**

ASSA ABLOY, the global leader  
in door opening solutions.

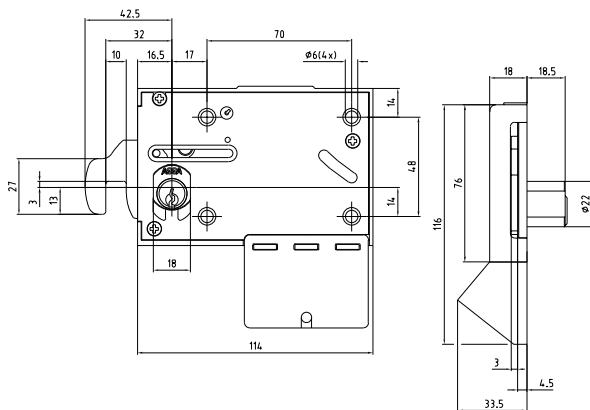
**NORMAL  
TO HIGH  
SECURITY**



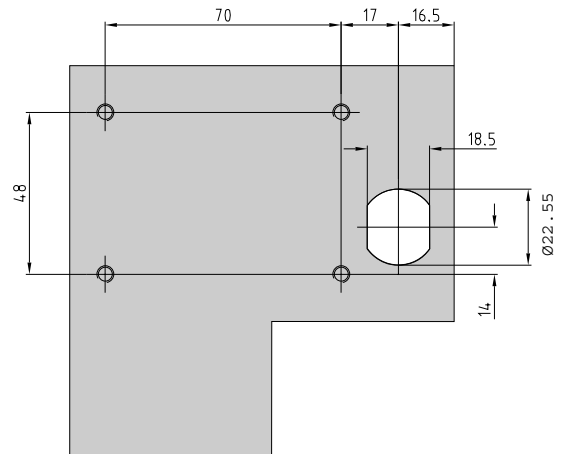
# ASSA Coin Lock

## Coin- and Card Locks

Dimension (mm)



Hole preparation



Extra keys:

Desmo      Maxi      Mini  
492373      491155      492164

Accessories, see data sheet "Accessories" for the next user.



**ASSA ABLOY**

ASSA ABLOY, the global leader in door opening solutions, dedicated to satisfying end-user needs for security, safety and convenience.

ASSA OEM AB  
P.O. Box 371  
SE-631 05 Eskilstuna  
Sweden

phone +46 (0)16 17 70 00  
fax +46 (0)16 17 74 51

Customer support:  
phone +46 (0)16 17 79 50  
fax +46 (0)16 17 70 18  
e-mail: csg@assaoem.se

www.assa.se

Part Number	Type of cylinder					Door thickness		Normal security	High security	2 Keys		Escutcheon (10 mm)	Corrosion Resistant
	Fixed	Removable	Desmo	RH	LH	19 mm	29 mm			Maxi	Mini		
290230	X			X		X		X		X			
290231	X			X		X		X			X		
290232		X		X			X	X		X		X	
290233	X				X	X		X		X			
290234	X				X	X		X			X		
290235		X			X		X	X		X		X	
290236	X			X		X		X		X			X
290237	X			X		X		X			X		X
290238		X		X			X	X		X		X	X
290239		X		X			X	X			X	X	X
290240	X				X	X		X		X			X
290241	X				X	X		X			X		X
290242		X			X		X	X		X		X	X
290243		X			X		X	X			X	X	X
290244	X			X			X	X			X		
290245	X			X			X	X		X			
290246		X		X			X	X			X	X	
290247		X			X		X	X			X	X	
290248	X				X		X	X			X		
290249	X				X		X	X		X			
290251	X			X			X	X			X		X
290252	X				X		X	X			X		X
290255	X		X	X			X		X	Desmo			X
290256	X		X		X		X		X	Desmo			X
290257	X			X			X	X		X			X
290258	X				X		X	X		X			X