

ASSA 1650

Camlock



Application

Locks for cabinets, drawers, cabinets, etc.

Properties

ASSA 1650 is a 7-wafer camlock for material thickness up to 16 mm with 18/22 mms recess. The cylinder is made of zinc and the keys of nickel plated brass. ASSA 1650 cannot be master keyed or assembled in locking groups, only key differ is available. The lock is always supplied with 2 keys.

Function

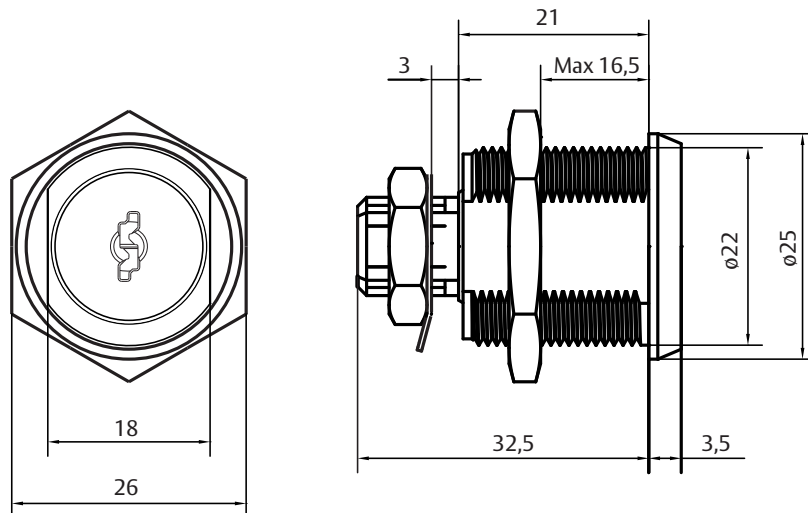
Key is turned 90 degrees and can only be removed when the catch is in the locked position. Only available right handed.

ASSA[®]
ASSA ABLOY

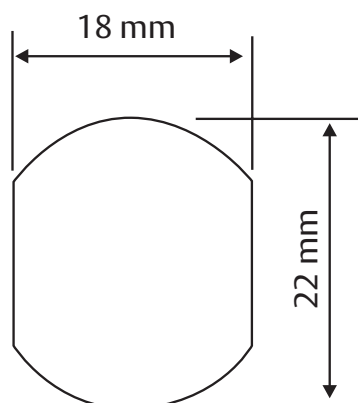
ASSA 1650

Camlock

Drawing (mm)



Holepreparation



ASSA[®]

ASSA ABLOY

ASSA ABLOY, the global leader in door opening solutions, dedicated to satisfying end-user needs for security, safety and convenience.

ASSA OEM AB
P.O. Box 371
SE-631 05 Eskilstuna
Sweden

phone +46 (0)16 17 70 00
fax +46 (0)16 17 70 49

Customer support:
phone intl. +46 (0)16 17 71 00
phone nat. 0771-640 640
fax +46 (0)16 17 73 72
e-mail: helpdesk@assa.se

www.assaoem.se

Notes

Cylinder housing: zinc

Cylinder: zinc

Keys: brass

Catches, see product data sheet for catches.