

# ASSA Code Handle

Electromechanical handle



## Application

- For windows and terrace/balcony doors to be locked from inside
- The product is patented
- The simplicity enhances security

## Feature

- Meets mechanical requirements according to standards SS3620, class B\*
- Lock with button and unlock with personal code
- Simple installation, no cables
- To be fitted with one way screws (security screws)
- Enhanced child security

## Function

- The Code Handle is unlocked with a 6 digit code to be based on numbers 1 to 4
- Separate lock button
- The code is not affected by voltage drop/battery change
- The code can be changed an unlimited number of times
- Operated by two replaceable CR2 lithium batteries (included with product)
- Battery lifetime is approximately 60.000 operations during normal operating conditions
- Indication of low batteries

\* The current standard only covers tests with mechanical keys. Consequently, a certificate from SBSC can not be obtained. The product is tested and fulfills the requirements regarding applicable areas.

**ASSA**<sup>®</sup>

**ASSA ABLOY**

# ASSA Code Handle

## Electromechanical handle

Model	Description	Executions
7810	Short plate (normal)	Right or left
7811	Long plate	Right or left
7801	Non coded*, Short plate (normal)	Right or left
7802	Non coded*, Long plate (normal)	Right or left

Available in satin chrome, bright chrome or white.

The product has an 8 mm square spindle, 53 mm length (also available in 100mm length and/or 7 mm square spindle).

\* Non coded versions can be used for double doors.



# ASSA®

## ASSA ABLOY

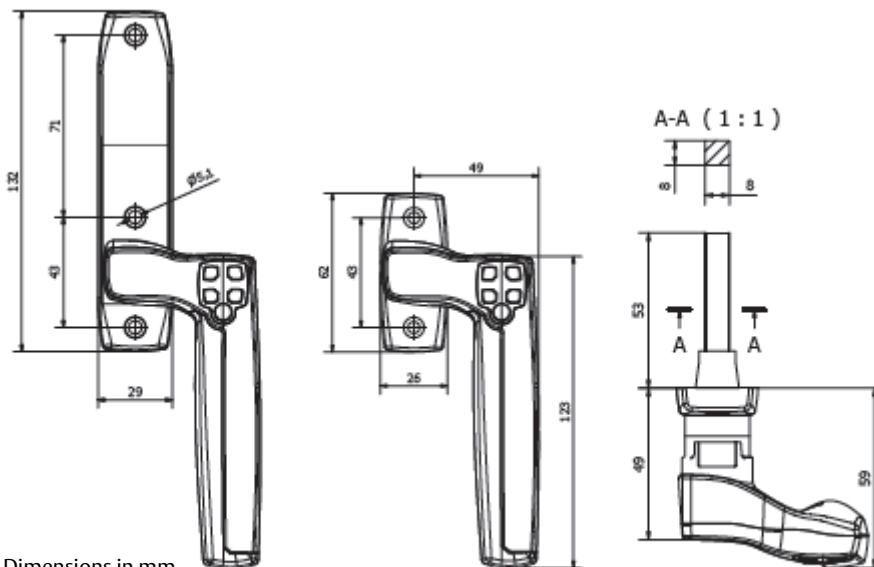
ASSA ABLOY, the global leader in door opening solutions, dedicated to satisfying end-user needs for security, safety and convenience

ASSA AB  
P.O. Box 371  
SE-631 05 Eskilstuna  
Sweden

phone +46 (0)16 17 70 00  
fax +46 (0)16 17 72 10

Customer support:  
phone +46 (0)771 640 640  
fax +46 (0)16 17 73 72  
e-mail: [helpdesk@assa.se](mailto:helpdesk@assa.se)

[www.assa.se](http://www.assa.se)



Dimensions in mm.