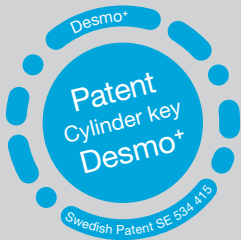


ASSA Desmo+ 10950

ASSA[®]
ASSA ABLOY

Cam Lock

ASSA ABLOY, the global leader
in door opening solutions



Performance

ASSA Desmo+ is a high security cylinder design based on direct driven pins.

ASSA Desmo+ 10950 is an 8-pin camlock to be used on doors with 18/22 hole and up to 22 mm thickness.

The ASSA Desmo+ 8-pin design allows master keying and the technology creates a high number of differs.

Cylinders are made of nickel plated brass and the keys of nickel silver.

ASSA standard catches can be used.

Function

The key turns 90° and can only be removed when the catch is in the locked position. Double key entry is available on request.

Right hand turning as standard and left hand available on request.

**HIGH
SECURITY**

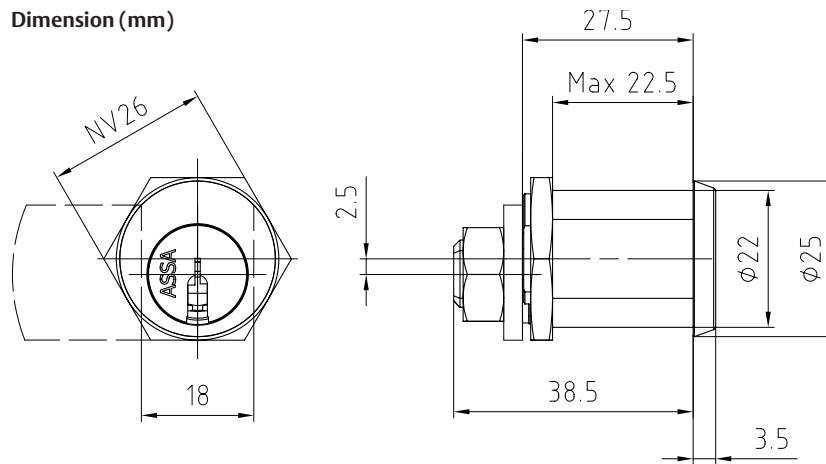
ASSA Desmo⁺ 10950

ASSA[®]
ASSA ABLOY

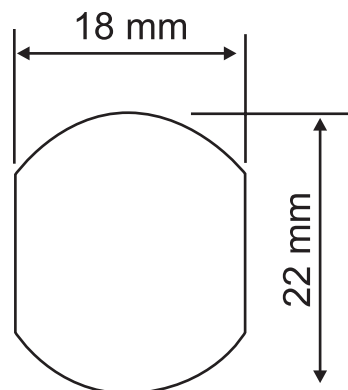
Cam Lock

ASSA ABLOY, the global leader
in door opening solutions

Dimension (mm)



Hole preparation



Included in part number: 395178

Part	Part no.	Material	Finish	Notes
Large nut	490610	Steel	Zinc plated	Catch Preparation: • Locking up or down = horizontal hole in catch • Locking right or left = vertical hole in catch Cylinder house: Nickel plated brass Cylinder: Brass Accessories see data sheet "Accessories" Catches see data sheet "Catches" Spare parts see data sheet "Spare Parts"
Small nut	490583	Steel	Zinc plated	
Stop washer	492291	Brass	Nickel plated	
Locking washer	490246	Steel	Zinc plated	

Keys

Keys together with lock 492366
Extra keys 492373

ASSA ABLOY is the global leader in door opening solutions, dedicated to satisfying end-user needs for security, safety and convenience

ASSA OEM AB
P.O. Box 371
SE-631 05 Eskilstuna
Sweden
Phone +46 (0)16 17 70 00
Fax +46 (0)16 17 71 77
Customer support:
Phone intl. +46 (0)16 17 70 00
e-mail: kundservice.etuna@assaabloy.com
www.assaoem.se