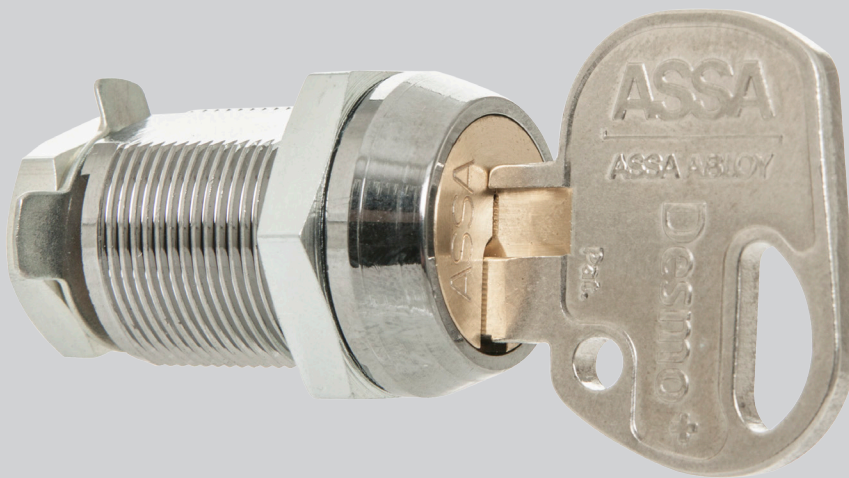
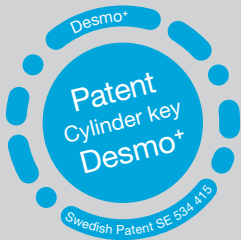


ASSA Desmo+ 8920

ASSA[®]
ASSA ABLOY

Cam Lock

ASSA ABLOY, the global leader
in door opening solutions



Performance

ASSA Desmo+ is a high security cylinder design based on direct driven pins.

ASSA Desmo+ 8920 is an 8-pin camlock to be used on doors with 16/19 hole and up to 16mm thickness.

The ASSA Desmo+ 8-pin design allows master keying and the technology creates a high number of differs.

Cylinders are made of nickel plated brass and the keys of nickel silver. Drill protection and double key entry is available on request.

ASSA standard catches can be used.

Function

The key turns 90° and can only be removed when the catch is in the locked position. Double key entry is available on request.

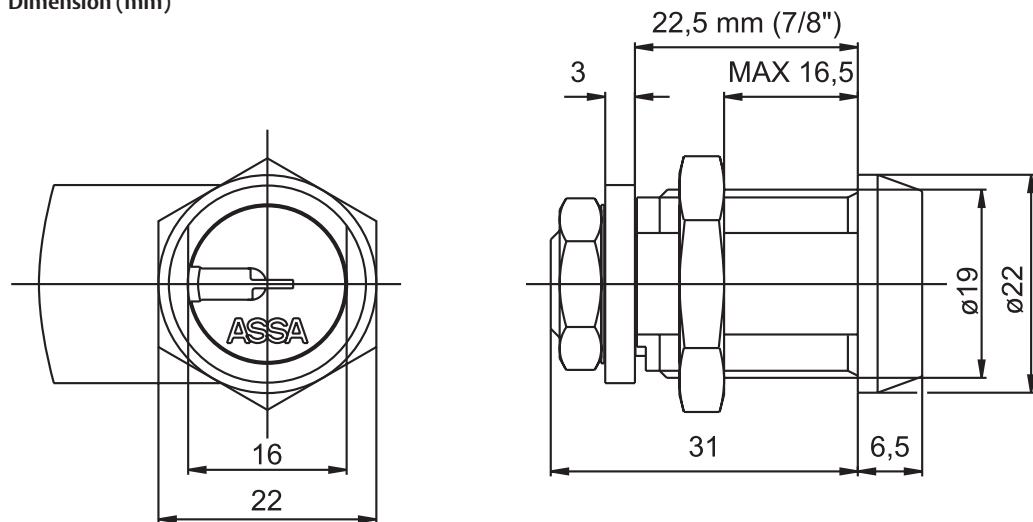
Right hand turning as standard and left hand available on request.

**HIGH
SECURITY**

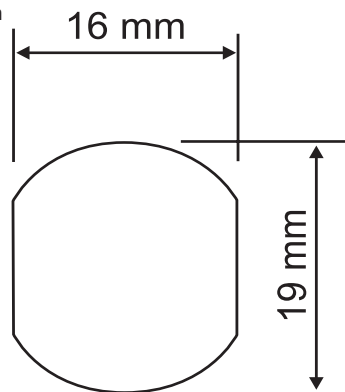
Cam Lock

ASSA ABLOY, the global leader
in door opening solutions

Dimension (mm)



Hole preparation



Included in part no: 492370

Part	Part no.	Material	Finish
Large nut	492262	Steel	Zinc plated
Small nut	490583	Steel	Zinc plated
Stop washer	492291	Brass	Nickel plated
Locking washer	490246	Steel	Zinc plated

Keys

Keys together with lock 492366
Extra keys 492373

Notes

Catch Preparation:

- Locking up or down = horizontal hole in catch
- Locking right or left = vertical hole in catch

Cylinder house: Nickel plated brass

Cylinder: Brass

Accessories see data sheet "Accessories"

Catches see data sheet "Catches"

Spare parts see data sheet "Spare Parts"

ASSA ABLOY is the global leader in door opening solutions, dedicated to satisfying end-user needs for security, safety and convenience

ASSA OEM AB
P.O. Box 371
SE-631 05 Eskilstuna
Sweden
Phone +46 (0)16 17 70 00
Fax +46 (0)16 17 71 77

Customer support:
Phone intl. +46 (0)16 17 70 00
e-mail: kundservice.etuna@assaabloy.com
www.assaabloy.com