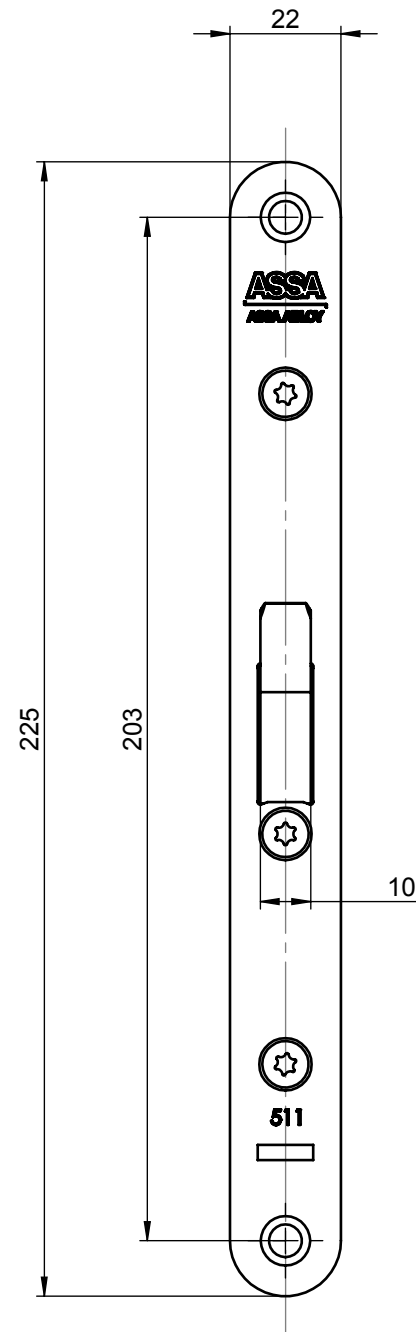
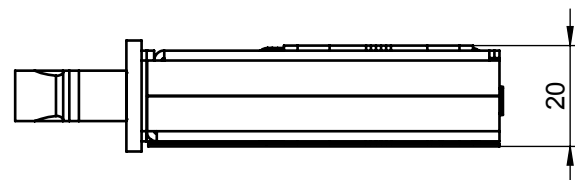
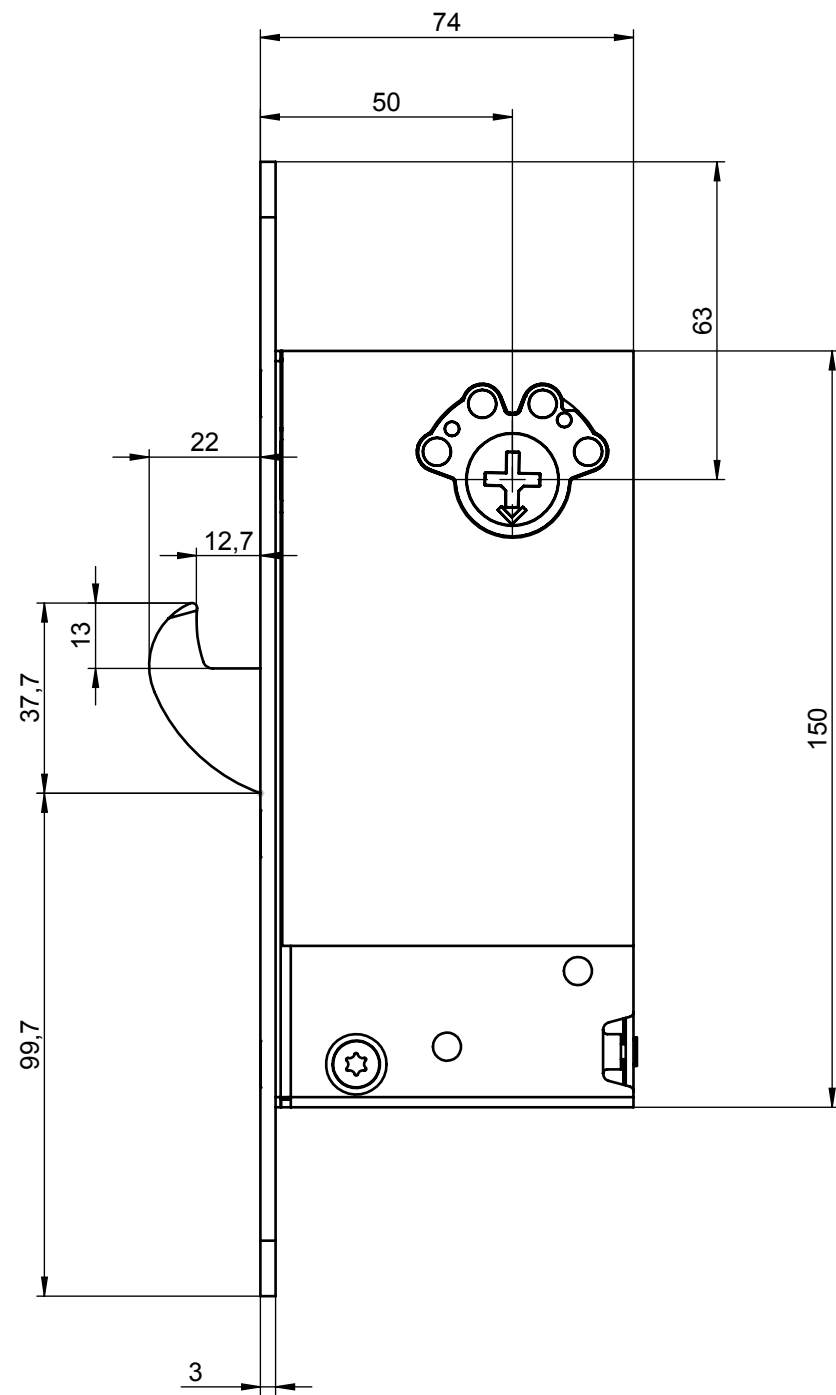


This document is our property and shall not without our permission be altered, copied, used for manufacturing or communicated to any other person or company.



Surface:			Material:			General tolerance:		
			Material <not specified>			ISO 2768-mH		
Volume:	Weight:	Surface area:	created:	designed by:	changed by:	Scale:	Projection:	
121138.17	798.58		2014-11-18	LaJe	LaJe	1:5 (A3)		
<b>ASSA ABLOY</b> ASSA OEM			Dimensional drawing 511-50.			Alternate ID		Rev.:
						Document ID		1
						<b>D000212972-001</b>		<b>1</b>