

ASSA Unimille version A

ASSA[®]
ASSA ABLOY

Deposit lock with 1-coin insertion
Coin and Cardlocks

ASSA ABLOY, the global leader
in door opening solutions



Performance

ASSA Unimille Single Coin Coinlock is available for use with the majority of coins and tokens. The lock can be provided with a coin return tray or a lockable coin collecting box. The Unimille Single Coin Coinlock can be ordered for right or left handed lockers. The lock can be equipped with a wide variety of cylinders stretching from medium to high security cylinders. The cylinder range also offers a variety of functions such as removable cylinder, master keying and penalty function.

The Unimille coinlock series are suitable for both wet and dry areas. The lock case is made of polycarbonate, the cylinder of chromated brass, the keys, the hook bolt and the remaining unspecified components of nickel plated brass.

Function

When the correct coin is inserted the door can be locked and the key removed. When the lock is opened with the key the coin falls into either the return tray or, if a charge is being made for the use of the locker, into the coin collecting box. When inserting a coin with too small diameter the coin will automatically fall into the return tray or into the collecting box, causing no problems with jamming locks for the facility manager. ASSA Unimille Single Coin Coinlock is designed to always keep the key captive in the lock after use, leaving it available for a new visitor.

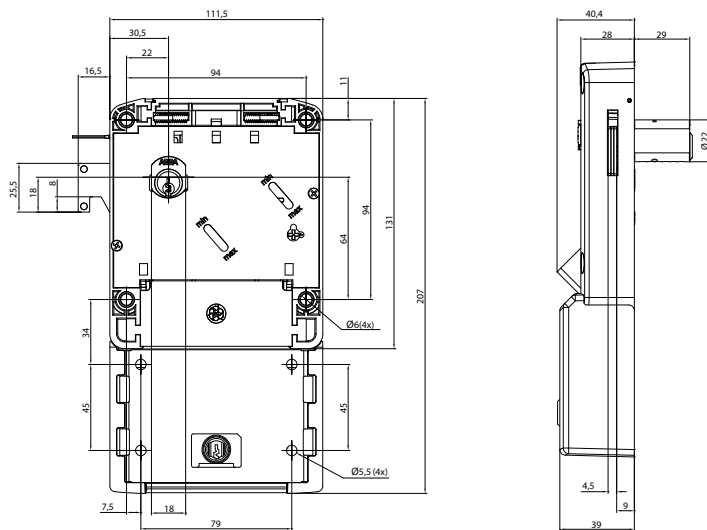
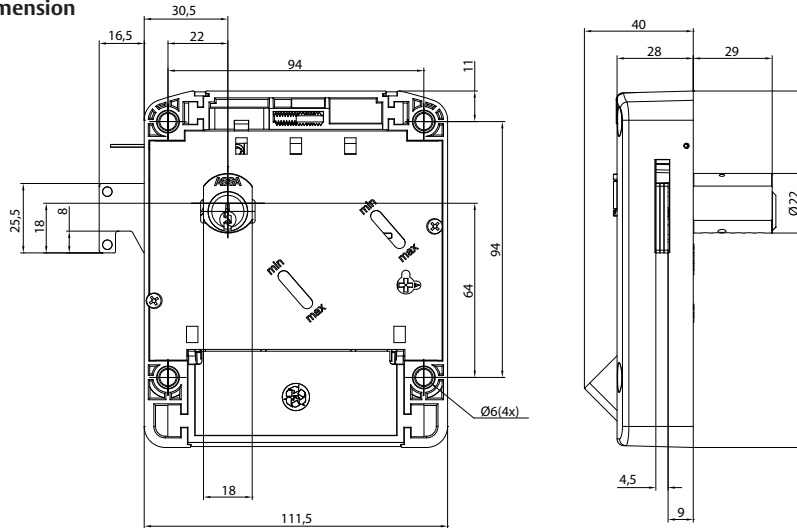
ASSA Unimille version A

ASSA[®]
ASSA ABLOY

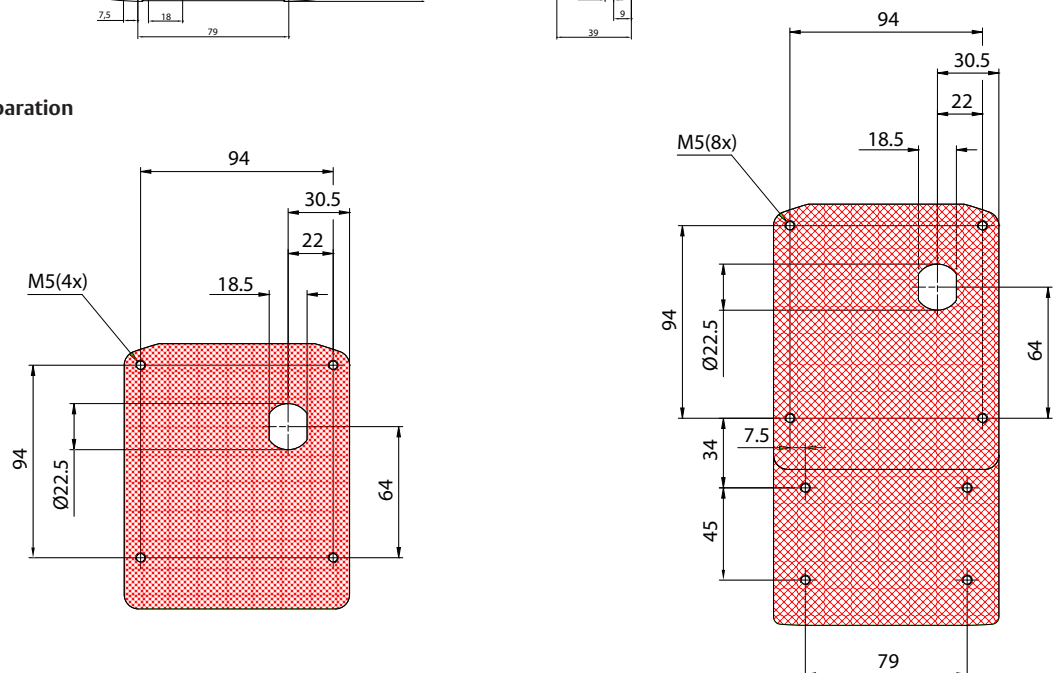
Deposit lock with 1-coin insertion
Coin and Cardlocks

ASSA ABLOY, the global leader
in door opening solutions

Dimension



Hole preparation



Deposit lock with 1-coin insertion Coin and Cardlocks

ASSA ABLOY, the global leader
in door opening solutions

Coinlocks

Part number does not include cylinder. The cylinders are ordered separately.

Part no.	Version	RH/LH	Coinbox
290619	A1	RH	
290620	A2	RH	Yes
290623	A1	LH	
290624	A2	LH	Yes

Cylinders

The Unimille coinlock series can be equipped with a wide range of cylinders. The 5-pin and 6-pin version is used in medium security applications. The Desmo cylinder is used in high security applications when there is a need for restricted key control. Every cylinder includes 2 user keys according to the cylinder ordering table.

The cylinder range offers a variety of functions:

- **Penalty function:** the penalty function offers the facility manager to open blocked lockers with the penalty key and take out the deposit in order to prevent users to reserve lockers. If the user is to lock the locker again he will have to insert another coin. This function is possible to have with the 6-pin and it is included in the Desmo cylinder.

- **Changeable cylinder:** The cylinder can be added or removed to the coinlock by using the management key.
- **Master keying:** All of the cylinder types have the possibility of masterkeying.

Note that the cylinders have to match the corresponding coinlock i.e. RH coinlocks need RH cylinders.

Keys

If there is a need for more than the 2 included user keys they can be ordered separately according to the key ordering table. The 5-pin and 6-pin cylinder offers three different key grips: Maxi (26 mm long), Mini (18.5 mm long) and wristband (to be assembled on a wristband). The penalty keys, management keys and master keys are ordered separately. Note that the keys have to match the corresponding cylinders i.e. RH cylinders need RH keys. Penalty function only works with cylinders offering that possibility.

Cylinder ordering table

Part no.	Type of cylinder				Type of key				RH/LH	Cylinder length
	5-Pin	6-Pin	6-Pin Penalty	Desmo Penalty	Maxi	Mini	Wristband	Desmo		
493067	x				x				RH	29 mm
493078	x					x			RH	29 mm
493082	x						x		RH	29 mm
493077	x				x				LH	29 mm
493080	x					x			LH	29 mm
493084	x						x		LH	29 mm
493036		x			x				RH	29 mm
493079		x				x			RH	29 mm
493083		x					x		RH	29 mm
493045		x			x				LH	29 mm
493081		x				x			LH	29 mm
493085		x					x		LH	29 mm
493086			x		x				RH	29 mm
493088			x			x			RH	29 mm
493090			x				x		RH	29 mm
493087			x		x				LH	29 mm
493089			x			x			LH	29 mm
493091			x				x		LH	29 mm
493037				x				x	RH	29 mm
493076				x				x	LH	29 mm

Deposit lock with 1-coin insertion Coin and Cardlocks

ASSA ABLOY, the global leader
in door opening solutions

Key ordering table

Part no.	Type of key												RH/LH				
	5-Pin					6-Pin					Desmo						
	User			Master (Maxi)	Remove (Maxi)	User			Master (Maxi)	Remove (Maxi)	Penalty (Maxi)	User		Master	Remove	Penalty	
	Maxi	Mini	Wristband			Maxi	Mini	Wristband									
491155	x																RH/LH
492164		x															RH/LH
492934			x														RH/LH
491058				x													RH/LH
493138					x												RH
493139					x												LH
491243						x											RH/LH
492891							x										RH/LH
493106								x									RH/LH
491246									x								RH/LH
493100										x							RH
493108											x						LH
493101												x					RH/LH
492373												x					RH/LH
362983													x				RH/LH
493128														x			RH
493129															x		LH
493130																x	RH/LH

ASSA ABLOY is the global leader in door opening solutions, dedicated to satisfying end-user needs for security, safety and convenience

ASSA OEM AB
P.O. Box 371
SE-631 05 Eskilstuna
Sweden
Phone +46 (0)16 17 70 00
Fax +46 (0)16 17 71 77
Customer support:
Phone intl. +46 (0)16 17 70 00
e-mail: kundservice.etuna@assaabloy.com
www.assaabloy.com