

ASSA Unimille version D

ASSA[®]
ASSA ABLOY

Deposit/Collect lock with 2-coin insertion
Coin and Cardlocks

ASSA ABLOY, the global leader
in door opening solutions



Performance

The ASSA Unimille Double Coin Coinlock version D is a combination of a Coin collect lock and a Deposit lock in the same coinlock. One coin is used as fee and one as deposit for multiple openings. The user can open the coinlock for as many times as needed and when unlocking for the last time the user presses the R-button and gets the deposit back. The cash coin is at the same time collected automatically in the collect box. This offers flexibility for the user and profit for the facility manager. The Unimille Double Coin Coinlock is ordered for right or left handed lockers. The lock can be equipped with a wide variety of cylinders stretching from medium to high security cylinders. The cylinder range also offers a variety of functions such as removable cylinder, master keying and penalty function.

The Unimille coin lock series are suitable for both wet and dry areas. The lock case is made of polycarbonate, the cylinder of chromated brass, the keys, the hook bolt and the remaining unspecified components of nickel plated brass.

Function

When the deposit coin and the collect coin is inserted the door can be locked and the key removed. The user can open and lock the locker for multiple times with the key until pressing the R-button. When pressing the R-button one coin falls into the return tray and one coin falls into the coin collecting box. When inserting a coin with too small diameter the coin will automatically fall into the return tray or into the collecting box, causing no problems with jamming locks for the facility manager. ASSA Unimille Double Coin Coinlock is designed to always keep the key captive in the lock after use, leaving it available for a new visitor.

ASSA Unimille version D

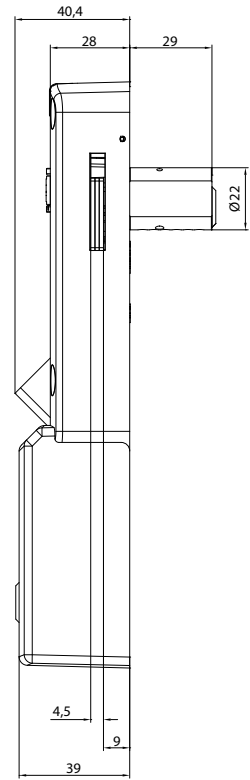
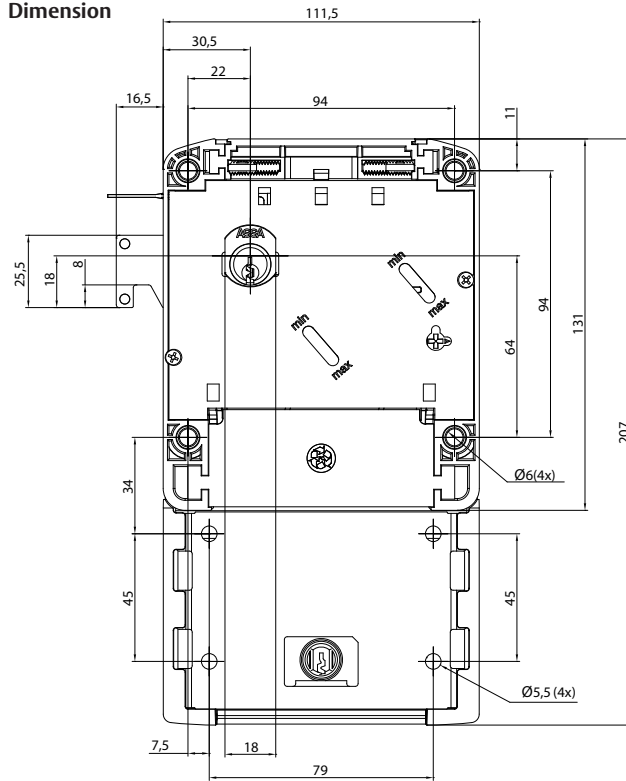
ASSA®

ASSA ABLOY

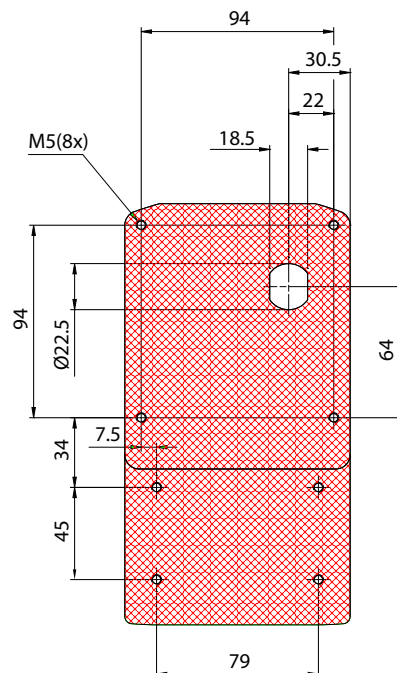
Deposit/Collect lock with 2-coin insertion
Coin and Cardlocks

ASSA ABLOY, the global leader
in door opening solutions

Dimension



Hole preparation



Deposit/Collect lock with 2-coin insertion Coin and Cardlocks

ASSA ABLOY, the global leader
in door opening solutions

Coinlocks

Part number does not include cylinder. The cylinders are ordered separately.

Part no.	Version	RH/LH	Coinbox
290604	D	RH	Yes
290608	D	LH	Yes

Cylinders

The Unimille coinlock series can be equipped with a wide range of cylinders. The 5-pin and 6-pin version is used in medium security applications. The Desmo cylinder is used in high security applications when there is a need for restricted key control. Every cylinder includes 2 user keys according to the cylinder ordering table.

The cylinder range offers a variety of functions:

- Penalty function: the penalty function offers the facility manager to open blocked lockers with the penalty key and take out the deposit in order to prevent users to reserve lockers. If the user is to lock the locker again he will have to insert another coin. This function is possible to have with the 6-pin and it is included in the Desmo cylinder.

- Changeable cylinder: The cylinder can be added or removed to the coinlock by using the management key.
- Master keying: All of the cylinder types have the possibility of masterkeying.

Note that the cylinders have to match the corresponding coinlock i.e. RH coinlocks need RH cylinders.

Keys

If there is a need for more than the 2 included user keys they can be ordered separately according to the key ordering table. The 5-pin and 6-pin cylinder offers three different key grips: Maxi (26 mm long), Mini (18.5 mm long) and wristband (to be assembled on a wristband). The penalty keys, management keys and master keys are ordered separately. Note that the keys have to match the corresponding cylinders i.e. RH cylinders need RH keys. Penalty function only works with cylinders offering that possibility.

Cylinder ordering table

Part no.	Type of cylinder				Type of key				RH/LH	Cylinder length
	5-Pin	6-Pin	6-Pin Penalty	Desmo Penalty	Maxi	Mini	Wristband	Desmo		
493067	x				x				RH	29 mm
493078	x					x			RH	29 mm
493082	x						x		RH	29 mm
493077	x				x				LH	29 mm
493080	x					x			LH	29 mm
493084	x						x		LH	29 mm
493036		x			x				RH	29 mm
493079		x				x			RH	29 mm
493083		x					x		RH	29 mm
493045		x			x				LH	29 mm
493081		x				x			LH	29 mm
493085		x					x		LH	29 mm
493086			x		x				RH	29 mm
493088			x			x			RH	29 mm
493090			x				x		RH	29 mm
493087			x		x				LH	29 mm
493089			x			x			LH	29 mm
493091			x				x		LH	29 mm
493037				x				x	RH	29 mm
493076				x				x	LH	29 mm

Deposit/Collect lock with 2-coin insertion Coin and Cardlocks

ASSA ABLOY, the global leader
in door opening solutions

Key ordering table

Part no.	Type of key												RH/LH					
	5-Pin					6-Pin					Desmo							
	User			Master (Maxi)	Remove (Maxi)	User			Master (Maxi)	Remove (Maxi)	Penalty (Maxi)	User		Master	Remove	Penalty		
	Maxi	Mini	Wristband			Maxi	Mini	Wristband										
491155	x																	RH/LH
492164		x																RH/LH
492934			x															RH/LH
491058				x														RH/LH
493138					x													RH
493139					x													LH
491243						x												RH/LH
492891							x											RH/LH
493106								x										RH/LH
491246									x									RH/LH
493100										x								RH
493108										x								LH
493101											x							RH/LH
492373												x						RH/LH
362983													x					RH/LH
493128														x				RH
493129														x				LH
493130																x		RH/LH

ASSA ABLOY is the global leader in door opening solutions, dedicated to satisfying end-user needs for security, safety and convenience

ASSA OEM AB
P.O. Box 371
SE-631 05 Eskilstuna
Sweden
Phone +46 (0)16 17 70 00
Fax +46 (0)16 17 71 77
Customer support:
Phone intl. +46 (0)16 17 70 00
e-mail: kundservice.etuna@assaabloy.com
www.assaabloy.com